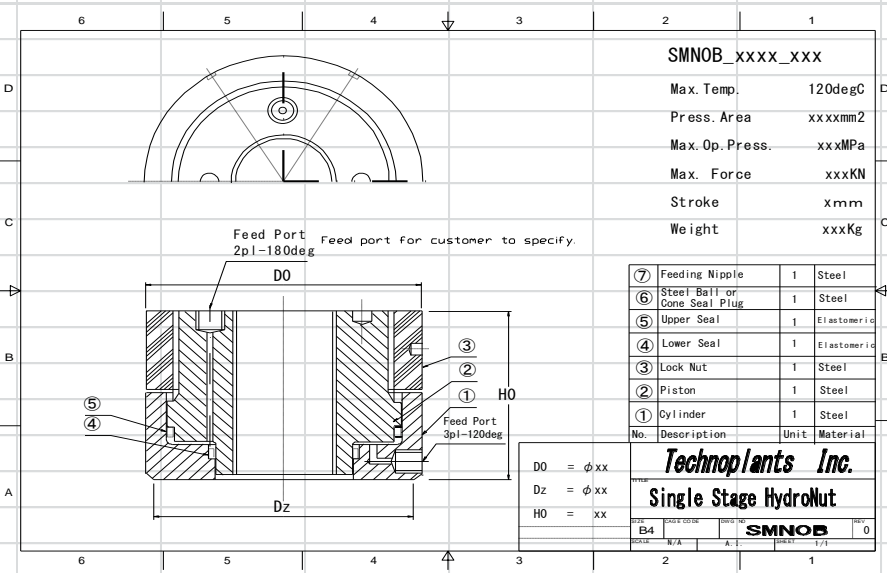


超高压仕様 UltraHighPressure

HN	(油圧ナット Hydraulic Nut)						Min.Order	@210MPa	@270MPa		
	M-	P-	外径	高さ	重量	ストローク	受圧面積	最低注文数	単価	軸力(KN)	単価
20	2.5	51.2	44	0.6	4	456	4	¥50,000	95	¥62,500	123
22	2.5	53.1	49	0.7	4	565	4	¥55,000	118	¥68,800	152
24	3.0	55.1	50	0.7	4	656	4	¥60,000	137	¥75,000	177
27	3.0	55.6	47	0.7	4.5	855	4	¥67,500	179	¥84,400	230
30	3.5	56.6	50	0.7	4.5	1044	4	¥75,000	219	¥93,800	281
33	3.5	63.0	53	0.9	4.5	1291	4	¥82,500	271	¥103,100	348
36	4.0	68.4	54	1.1	5	1521	4	¥90,000	319	¥112,500	410
39	4.0	74.7	58	1.4	5	1817	4	¥97,500	381	¥121,900	490
42	4.5	80.1	61	1.7	5	2087	4	¥105,000	438	¥131,300	563
45	4.5	86.4	65	2.2	5.5	2432	4	¥112,500	510	¥140,600	656
48	5.0	91.8	66	2.5	5.5	2743	4	¥120,000	576	¥150,000	740
52	5.0	100.3	70	3.1	5.5	3273	4	¥130,000	687	¥162,500	883
56	5.5	107.8	77	4.0	6	3780	4	¥140,000	793	¥175,000	1020
60	5.5	116.3	81	4.9	6	4398	4	¥150,000	923	¥187,500	1187
64	6.0	123.7	84	5.8	6	4982	3	¥160,000	1046	¥200,000	1345
68	6.0	132.2	89	7.0	6.5	5689	3	¥170,000	1194	¥212,500	1536
72	6.0	140.7	92	8.2	6.5	6442	3	¥180,000	1352	¥225,000	1739
76	6.0	149.2	95	9.6	6.5	7241	3	¥190,000	1520	¥237,500	1955
80	6.0	157.7	99	11.2	7	8088	3	¥200,000	1698	¥250,000	2183



**Lock Nut is to be a solid type as a standard;  
 However, the option is available to have a split type LN  
 (Patented)**